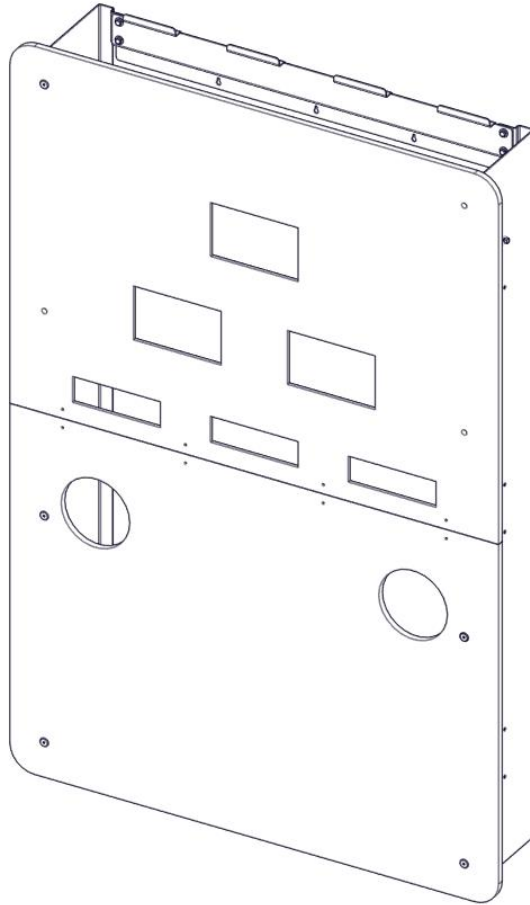


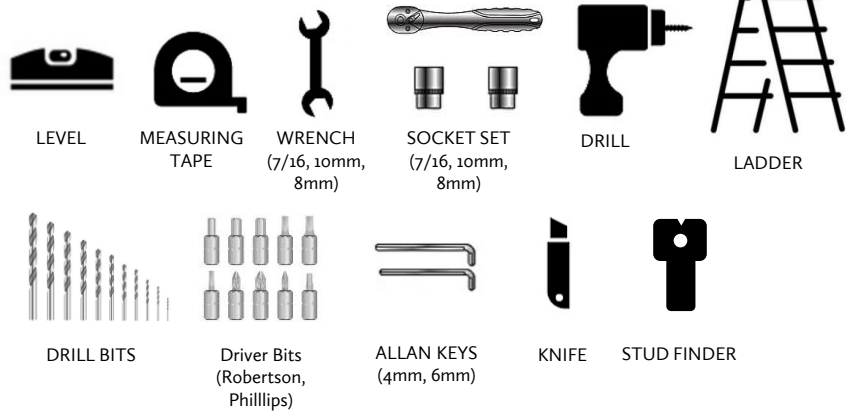
M3 Lite SOUND STAGE



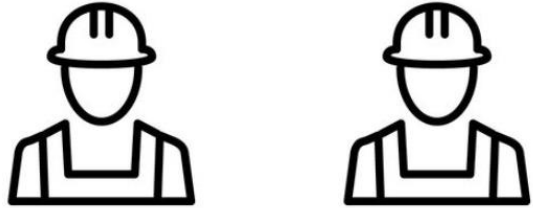
Installation/Set Up Instructions

Before You Start!

Tools Required



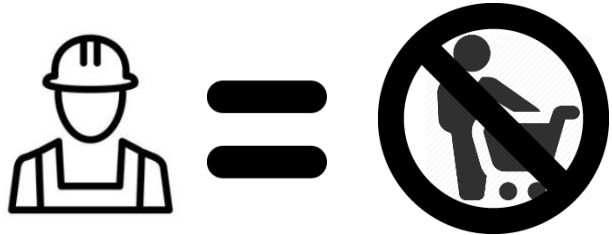
Min. x2 Installers



Call for Assistance
(604-696-2843 ext. 1)

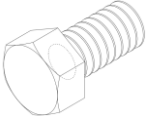


No Customers Near
Construction



Hardware List

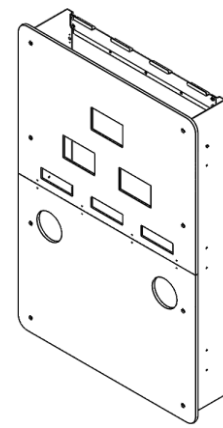
Hardware Kits Included:

Part#	Part name	Qty(ea)/Kit	Picture
4MENDPL-2X3/4	Mending Plate	4	
4JCB30MM-B	1/4-20x30 mm, Joint Connector Bolt	8	
4WSPANBLK-8X1/2	Span Head Wood Screw#8 x 1/2	8	
4MS-1-4-20X0.5-HH	1/4-20 x 1/2, Machine Screw	8	
4WSHFLT-1-4	1/4-20 Plain Washer	8	
4WSHLCK-1-4	1/4-20 Lock Washer	8	

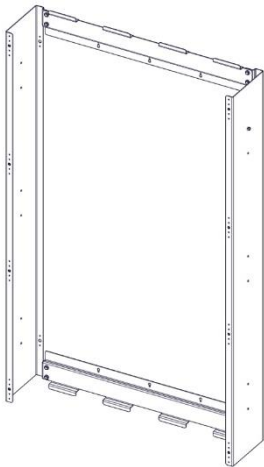
Additional Hardware Requirements:

- Power/Ground Wire: Typ. x20ft 10GA Black/Red
- RCAs: typ. x2

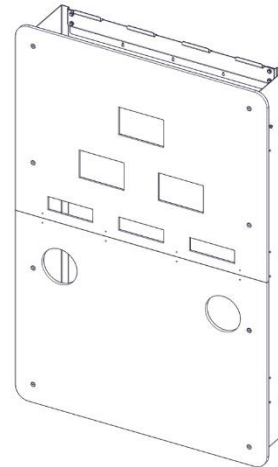
Quick Overview



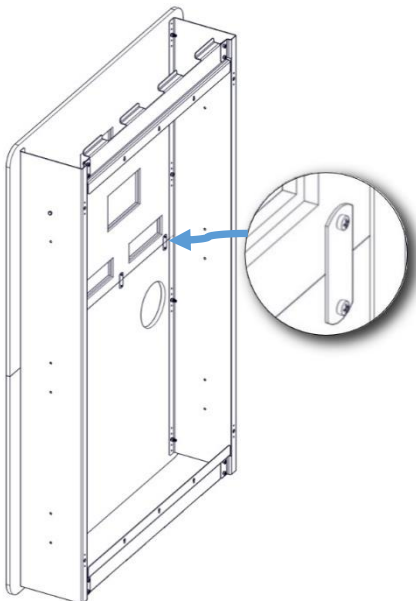
1 – Assemble metal frame



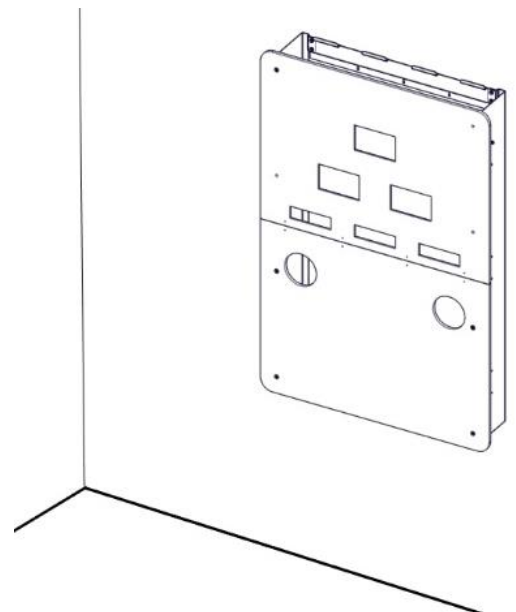
2 – Add front panels to metal frame



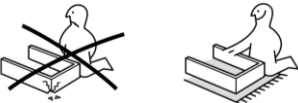
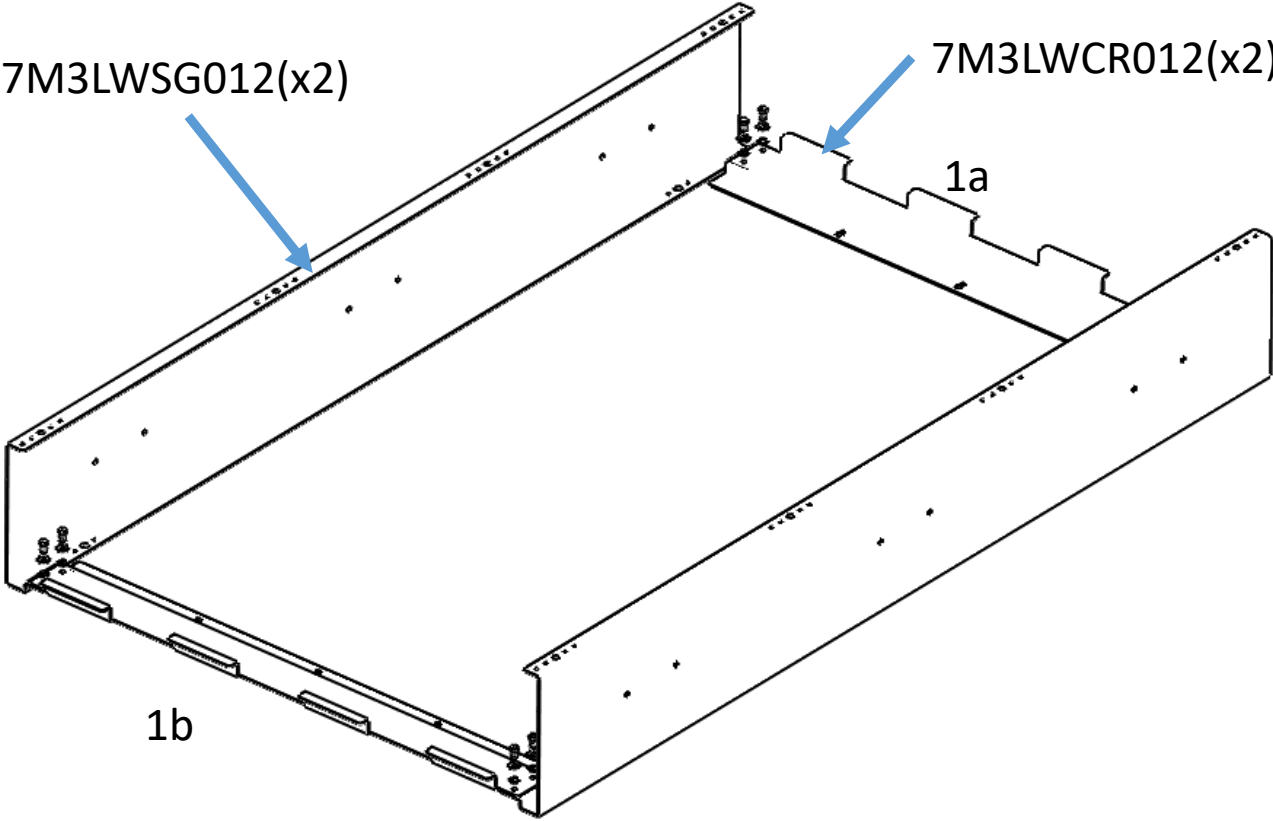
3 – Join front panel together



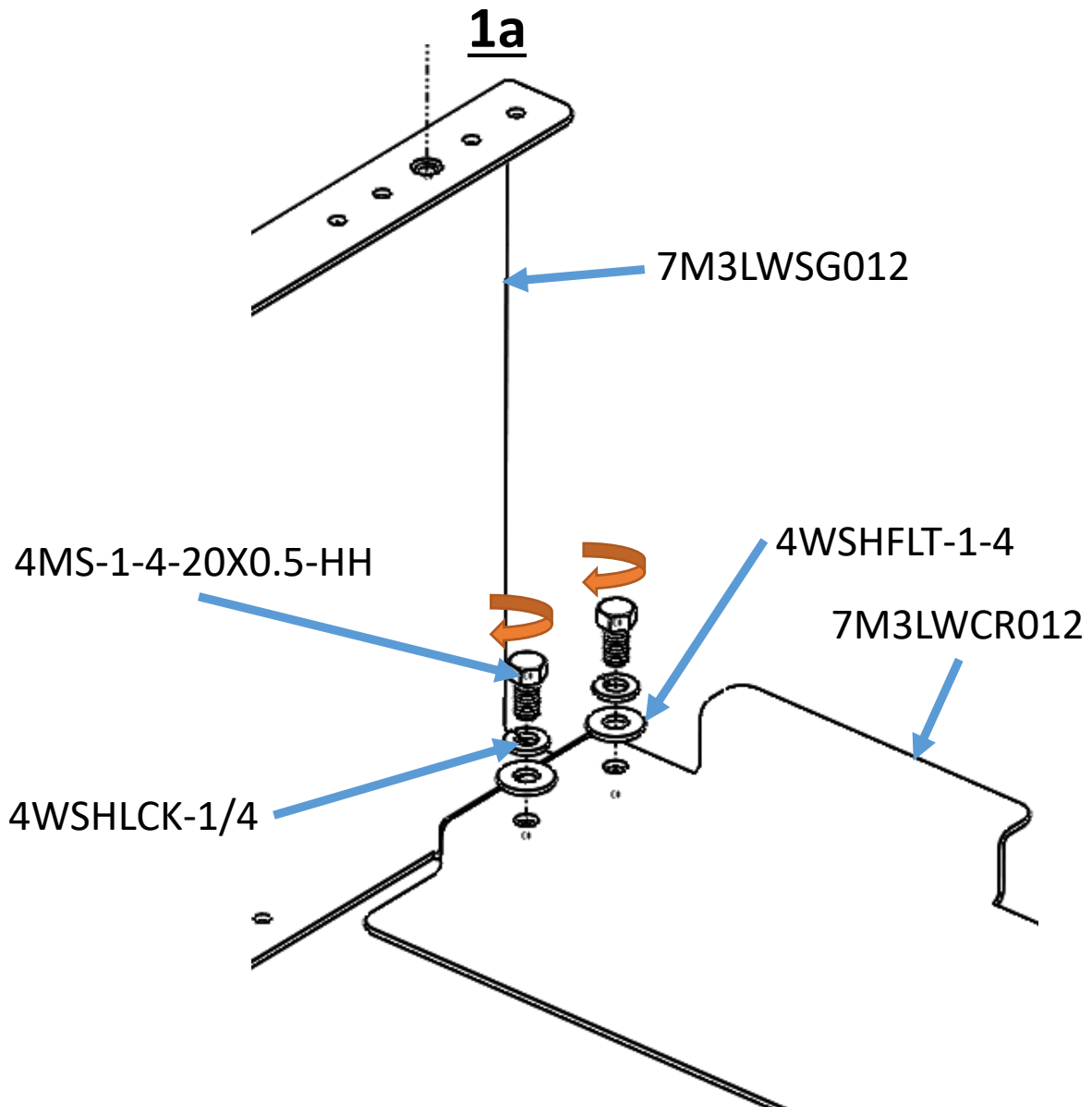
4 – Mount to wall



1. Assemble Metal Frame



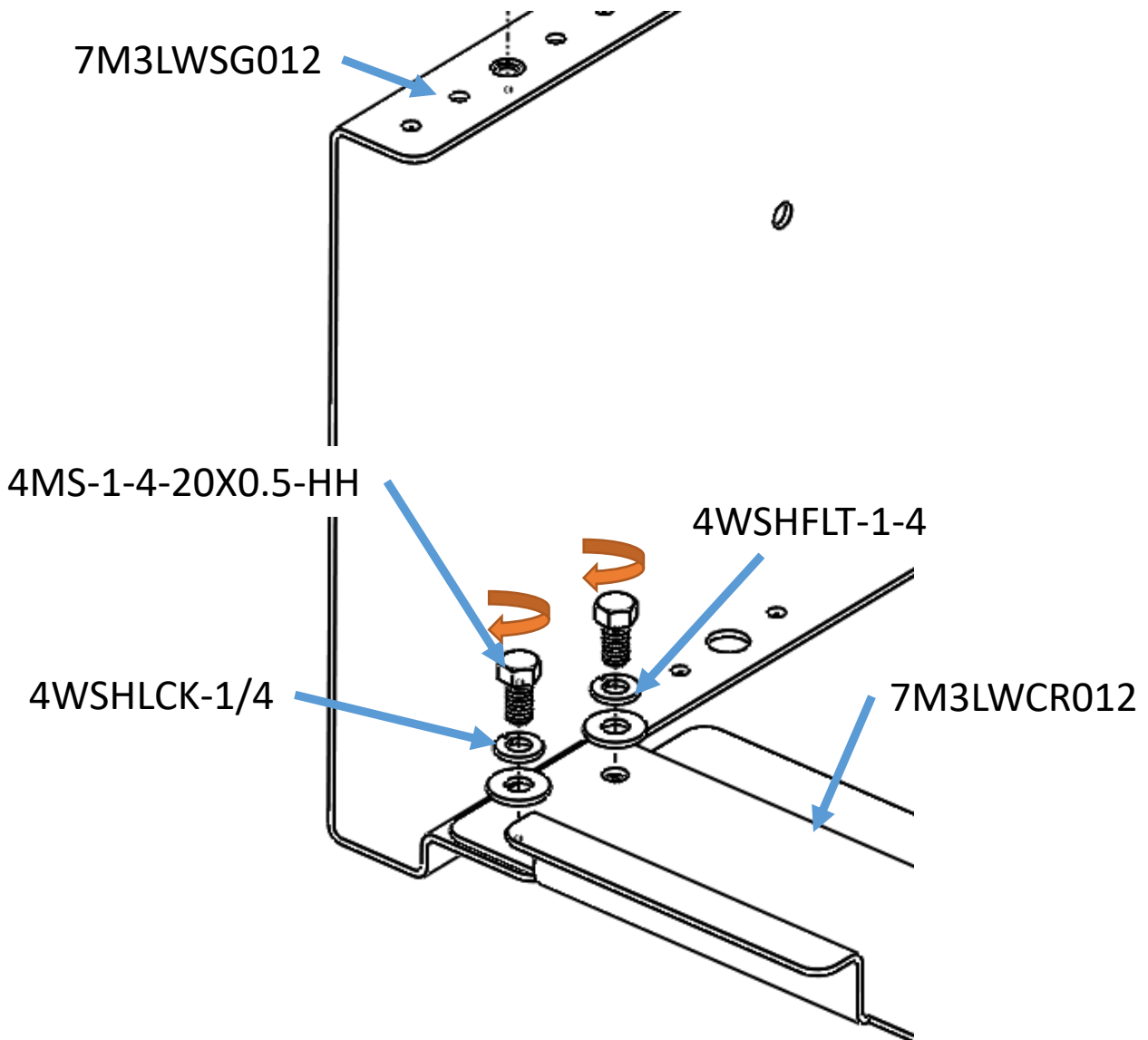
1. Assemble metal frame (con't)



Note: Fastener assembly is same method for top left and top right

1. Assemble metal frame(cont'd)

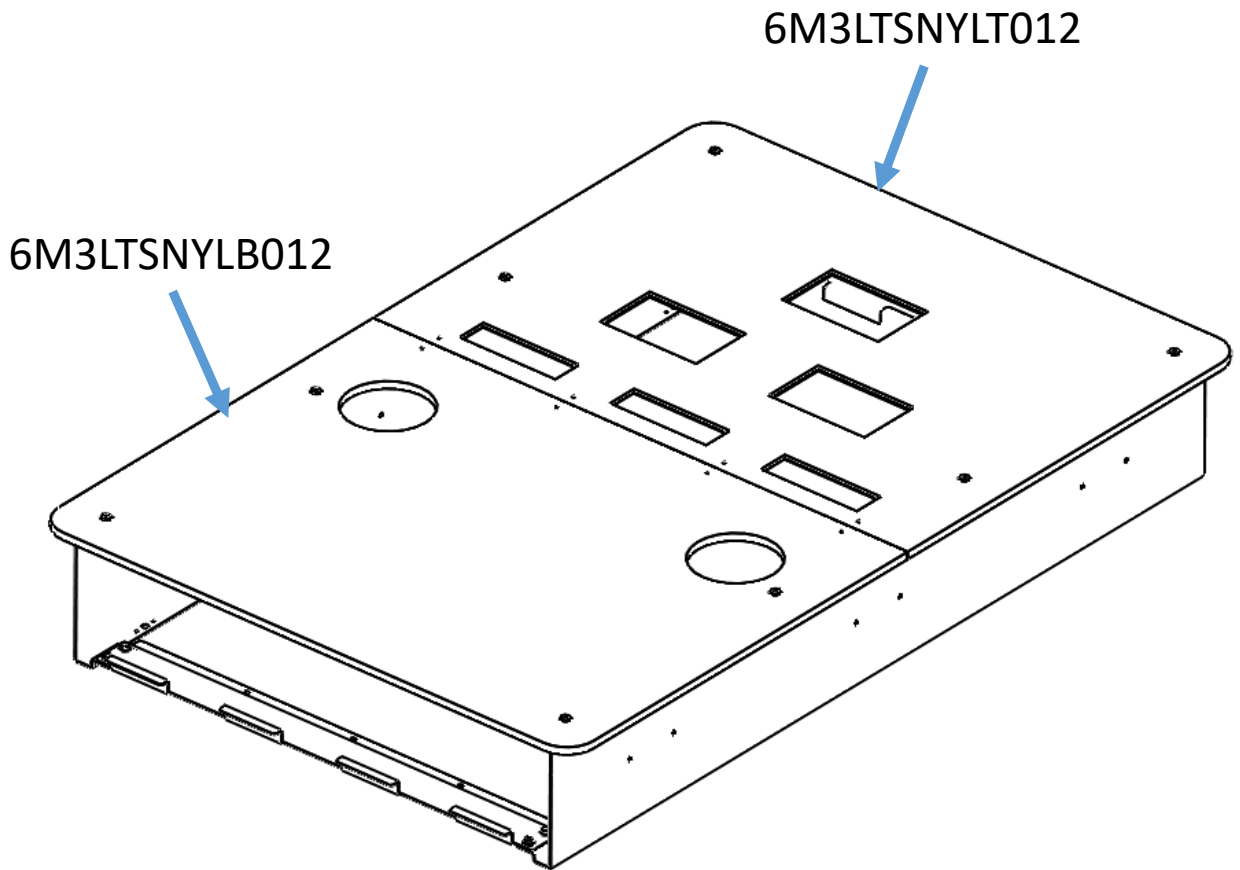
1b



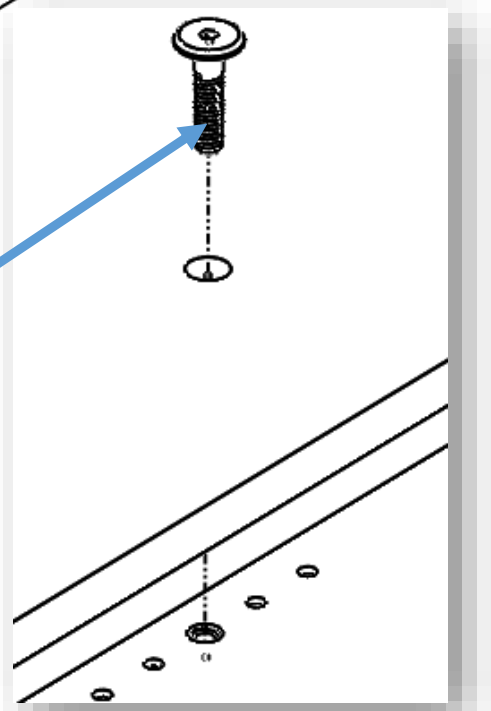
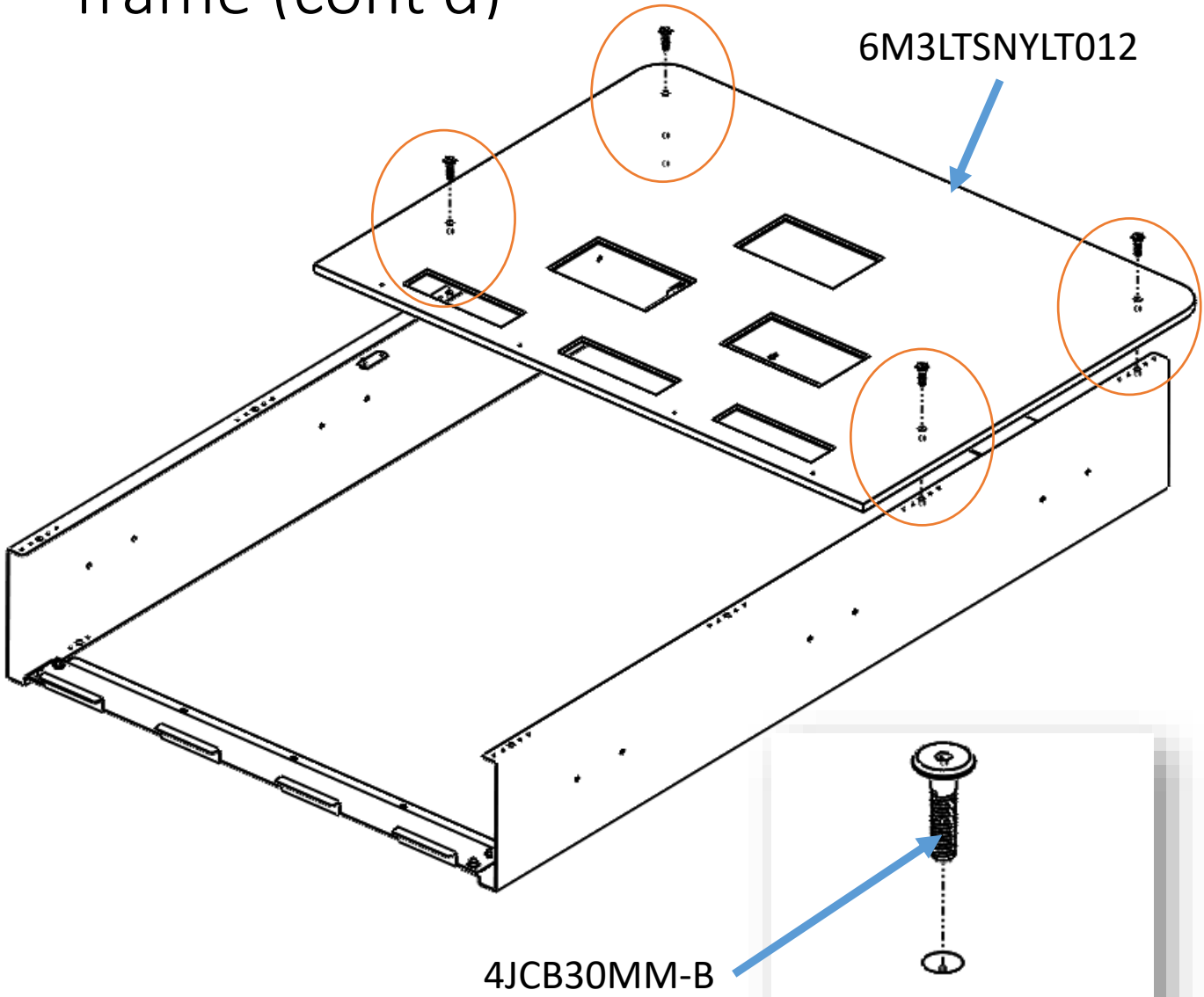
Note:

- Fastener assembly is same method for bottom left and bottom right

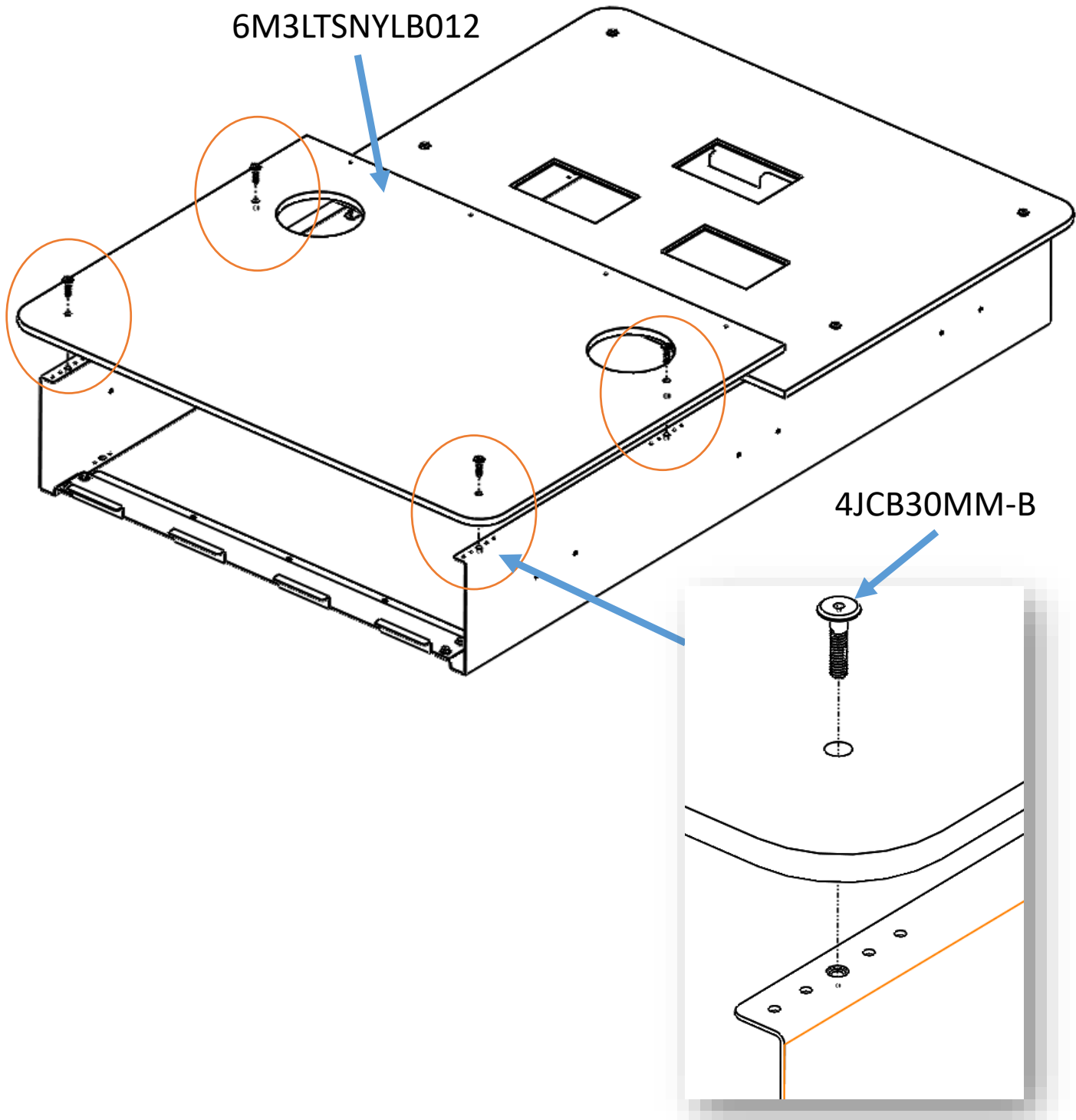
2. Attach front panels onto metal frame



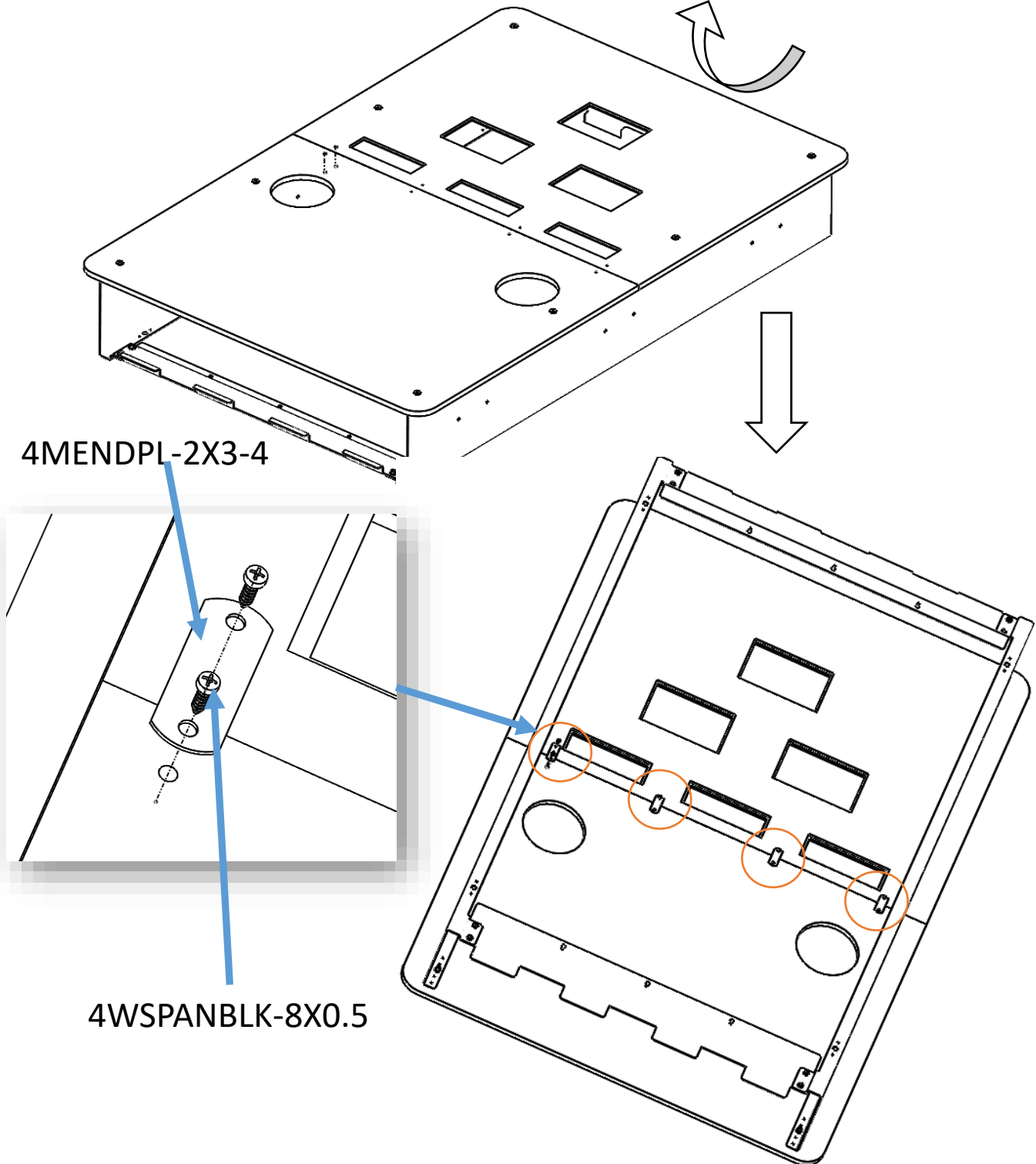
2. Attach front panels onto metal frame (cont'd)



2. Attach front panels onto metal frame (cont'd)



3. Join front panels together



4. Mount to wall

NOTE: Use keyholes on back of frame to mount sound stage to wall or slat wall. Use drywall anchors when appropriate and heavy screws to ensure a strong mount.

AVIDWORX does not provide wall mounting hardware.

